

### FEATURES

- > Handles liquid/gas mixture
- > Self priming
- > High flow
- > High pressure
- > Compact design
- > Reduced pulsation
- > Bubble free media transfer

### TYPICAL APPLICATIONS

- > Ink Jet Printers
- > Diagnostic Workstations
- > Fuel Cells

### BASE MODEL

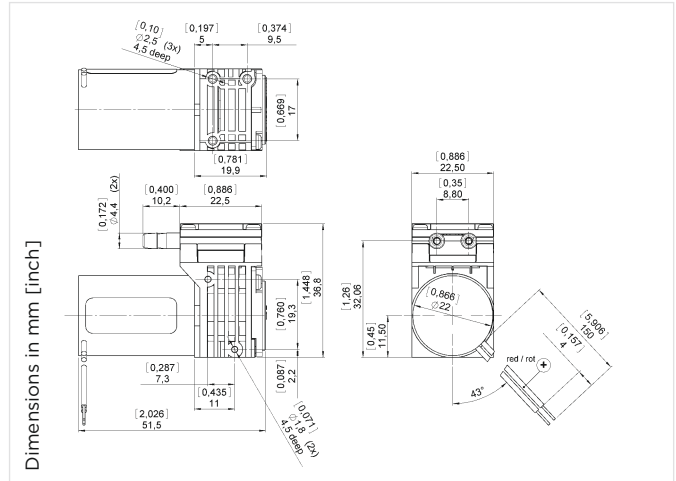
1210 DC  
1210 LC



Diaphragm

# Diaphragm Liquid Pump 1210 DC

<b>Flow</b>	<b>180 ml/min</b>
<b>Pressure height</b>	<b>up to 10 m H<sub>2</sub>O</b>
<b>Suction height</b>	<b>6 m H<sub>2</sub>O</b>



## HYDRAULIC DATA

Description	1210 DC PP/EPDM	1210 DC PP/FPM
Part number	12 V DC 24 V DC	
	<b>12100001</b> <b>12100002</b>	<b>12100051</b> <b>12100052</b>
Max. flow	180 ml/min	150 ml/min
Max. continuous pressure height	10 m H <sub>2</sub> O	10 m H <sub>2</sub> O
Max. suction height	6 m H <sub>2</sub> O	5 m H <sub>2</sub> O

## ELECTRICAL DATA

Motor type	Ironless Core DC	Ironless Core DC
Nominal speed	2800 rpm	2700 rpm
Nominal voltage	12/24 V DC	12/24 V DC
Max. power consumption @ 10 m H <sub>2</sub> O	1,5 W	1,6 W
Motor insulation class	H	H
Protection class	IPOO	IPOO
EMC protection	yes	yes

## GENERAL DATA

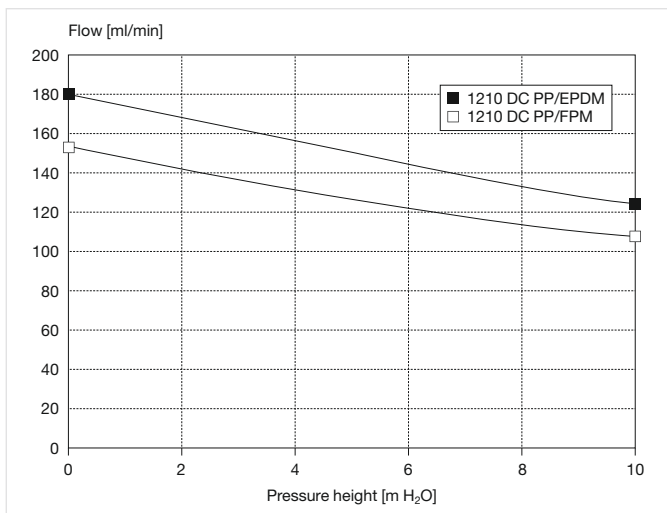
Ambient temperature	15 to 40 °C	15 to 40 °C
Media temperature	0 to 70 °C	15 to 70 °C
Weight	0,073 kg	0,073 kg

## WETTED PARTS

Pump head	PP	PP
Diaphragm	EPDM	FPM
Valves	EPDM	FPM

The technical data is related to a Polyurethane tubing, OD 6mm x ID 4mm, Hardness Shore D 45.

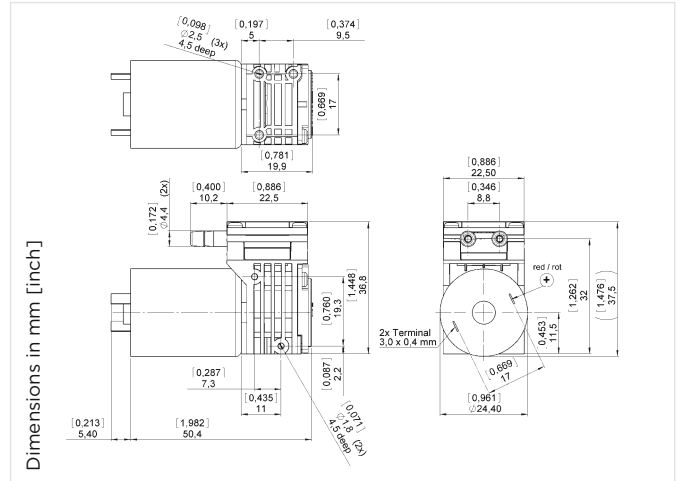
## FLOW CURVES



1210... Stock programme

# Diaphragm Liquid Pump 1210 LC

Flow	180 ml/min
Pressure height	up to 10 m H <sub>2</sub> O
Suction height	6 m H <sub>2</sub> O



## HYDRAULIC DATA

Description	1210 LC PP/EPDM	1210 LC PP/FPM
Part number	12 V DC 24 V DC <b>12100003</b> <b>12100004</b>	<b>12100053</b> <b>12100054</b>
Max. flow	180 ml/min	150 ml/min
Max. continuous pressure height	10 m H <sub>2</sub> O	10 m H <sub>2</sub> O
Max. suction height	6 m H <sub>2</sub> O	5 m H <sub>2</sub> O

## ELECTRICAL DATA

Motor type	Permanent Magnet	Permanent Magnet
Nominal speed	3100 rpm	3000 rpm
Nominal voltage	12/24 V DC	12/24 V DC
Max. power consumption @ 10 m H <sub>2</sub> O	2,2 W	2,3 W
Motor insulation class	B	B
Protection class	IP00	IP00
EMC protection	yes	yes

## GENERAL DATA

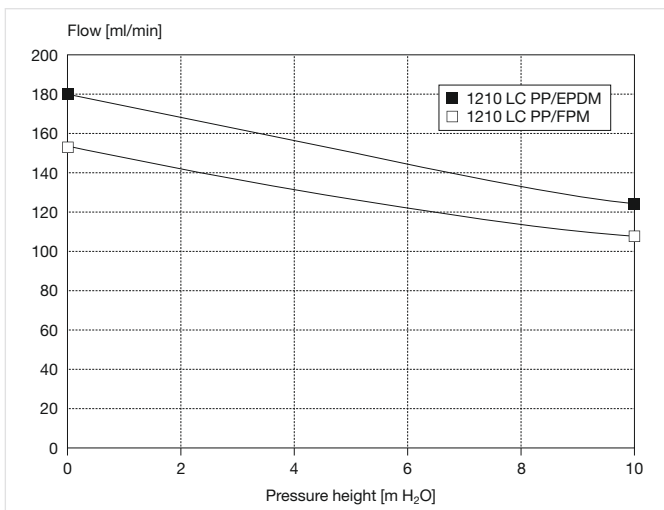
Ambient temperature	15 to 40 °C	15 to 40 °C
Media temperature	0 to 70 °C	15 to 70 °C
Weight	0,063 kg	0,063 kg

## WETTED PARTS

Pump head	PP	PP
Diaphragm	EPDM	FPM
Valves	EPDM	FPM

The technical data is related to a Polyurethane tubing, OD 6mm x ID 4mm, Hardness Shore D 45.

## FLOW CURVES



1210... Stock programme

PUMP AND COMPRESSOR SOLUTIONS FOR OEMS WORLDWIDE

[gd-thomas.com](http://gd-thomas.com)



**Gardner Denver Thomas GmbH**

Livry-Gargan-Str. 10  
82256 Fürstenfeldbruck  
Germany  
T +49 8141 2280 0  
F +49 8141 8892136  
[thomas.de@gardnerdenver.com](mailto:thomas.de@gardnerdenver.com)

**Gardner Denver Hong Kong, Limited**

Unit 1317-1318 Delta House, 3 On Yiu Street  
Siu Lek Yuen, Shatin, New Territories  
Hong Kong  
T +852 26903502  
F +852 27924598  
[thomas.hk@gardnerdenver.com](mailto:thomas.hk@gardnerdenver.com)

**Gardner Denver Thomas, Inc.**

1419 Illinois Avenue  
Sheboygan, WI 53081  
USA  
T +1 920 4574891  
F +1 920 4514276  
[td.usa@gardnerdenver.com](mailto:td.usa@gardnerdenver.com)

**THOMAS**  
by Gardner Denver

The information presented in this material is based on technical data and test results of nominal units. It is believed to be accurate and reliable and is offered as an aid to help in the selection of Thomas products. It is the responsibility of the user to determine the suitability of the product for the intended use and the user assumes all risk and liability in connection there with. Thomas does not warrant, guarantee or assume any obligation or liability in connection with this information.

Models presented in this catalog are representative of the product family. Photos of products pictured in this catalog do not necessarily represent a specific model number. To obtain further information for custom options, contact your local Thomas office.

Printed in Germany Form No. 17000223 05/2017 © Gardner Denver Thomas GmbH. All rights reserved.