

2380 Series

THOMAS
by Gardner Denver

FEATURES

- > Lightweight, compact design
- > cRUus or TUV approved (115/60/1 or 230/50/1)
- > RoHS and REACH compliant
- > Operate per EN 80601 standard (.38", .44" stroke)
- > Internal 9 blade cooling air flow fans
- > Conventional foot mount design
- > Extremely low vibration
- > Monolithic head
- > Wetted parts treated for corrosion resistance
- > Oil-less operation
- > Proven WOB-L technology
- > Easily serviced

Declaration documentation available upon request

TYPICAL APPLICATIONS

- > O₂ Concentrator
- > Blood or Laboratory Analyzers
- > Respiratory Therapy Equipment
- > ENT Equipment
- > Dental Equipment
- > Packaging/Printing Equipment
- > Air Dryers

BASE MODELS

2380CE32

(115/60/1)

2380CUU32

(230/50/1)

2380CS32

(100/50/60/1)

2380CE38

(115/60/1)

2380CUU38

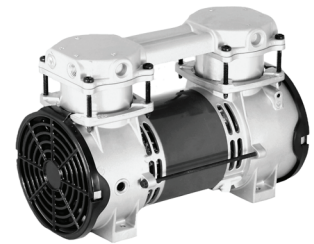
(230/50/1)

2380CE44

(115/60/1)

2380CUU44

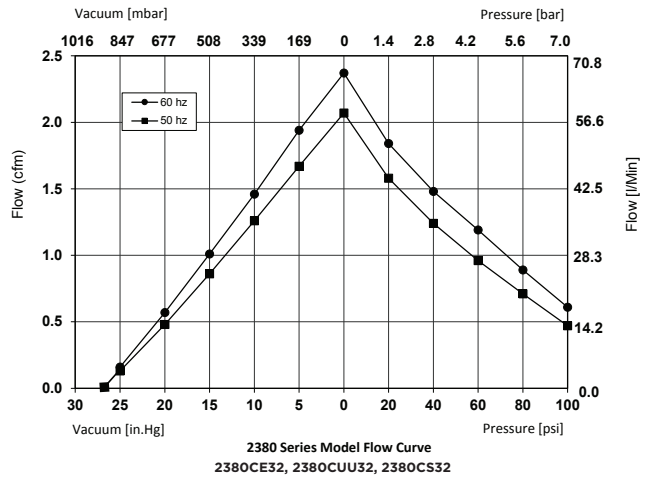
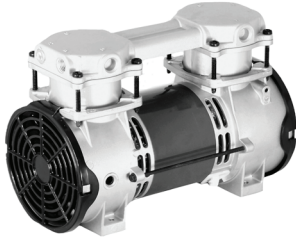
(230/50/1)



WOB-L

2380Series

Flow	2.3 cfm (65 l/min)
Max. pressure	100 psi (6.9 bar)
Max. vacuum	90% local barometer



NOTE: All test values are nominal and for reference only. They are not guaranteed maximum or minimum limits, nor do they imply mean or median.

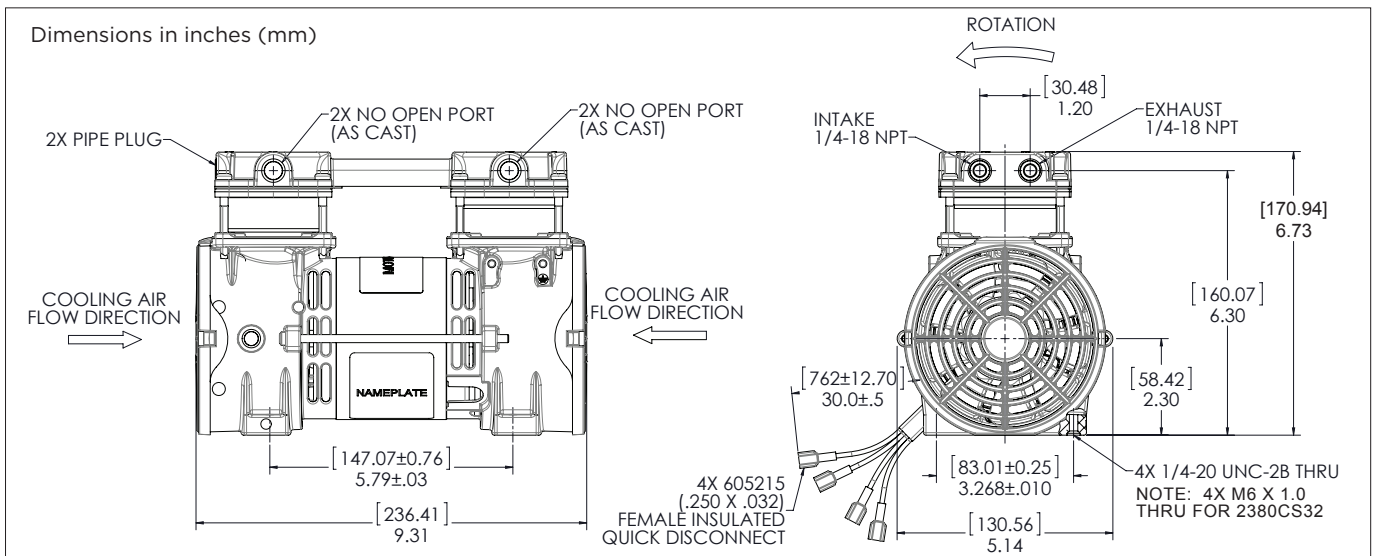
PERFORMANCE DATA	T16-0224	T16-0182	T16-0246
Model Number	2380CE32	2380CUU32	2380CS32
Head Configuration	Pressure/vacuum parallel flow	Pressure/vacuum parallel flow	Pressure/vacuum parallel flow
Stroke	0.32 in. (8.1 mm)	0.32 in. (8.1 mm)	0.32 in. (8.1 mm)
Nominal voltage input	115/60/1	230/50/1	100/50/60/1
Max. open air flow	2.3 cfm (65.1 l/min)	2.0 cfm (56.6 l/min)	2.0 cfm (56.6 l/min)/2.3 cfm (65.1 l/min)
Max. rated pressure	100 psi (6.9 bar)	100 psi (6.9 bar)	100 psi (6.9 bar)
Current at rated pressure	3.0A	1.3A	2.9A/3.4A
Power at rated pressure	338W	290W	279W/336W
Speed at rated pressure	1666 rpm	1371 rpm	1377 rpm/1626 rpm
Max. pressure restart	Consult factory	Consult factory	Consult factory
Max. vacuum	90% local barometer	90% local barometer	90% local barometer
Max. vacuum restart	Consult factory	Consult factory	Consult factory

ELECTRICAL DATA			
Motor type (Capacitance)	P.S.C. [25 µF]	P.S.C. [10 µF]	P.S.C. [30 µF]
Motor locked rotor current	8.4A	3.8A	7.7A 50hz/7.3A 60W
Motor insulation class	B	B	B
Thermal switch (Nominal Open temperature)	Yes [293°F (145°C)]	Yes [293°F (145°C)]	Yes [293°F (145°C)]
Lead wire color, gauge	Brown(hot), blue(neutral), 18 AWG	Brown(hot), blue(neutral), 18 AWG	Brown(hot), blue(neutral), 18 AWG
Capacitor lead wire color, gauge	Black, black, 18 AWG	Red, red, 18 AWG	Black, black, 18 AWG

GENERAL DATA			
Operating ambient temperature	50° to 104°F (10°C TO 40°C)*	50° to 104°F (10°C TO 40°C)*	50° to 104°F (10°C TO 40°C)*
Safety Certification	cRUus	TUV	None
Net weight	12 lbs (5.44 kg)	12 lbs (5.44 kg)	12 lbs (5.44 kg)

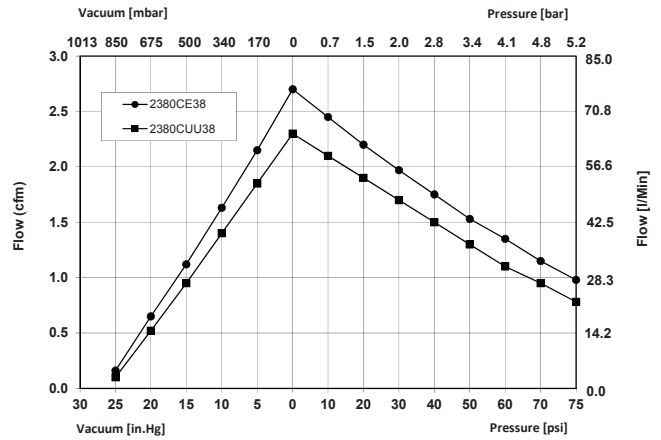
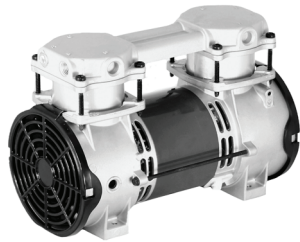
*Broader ambient operating ranges may be possible depending on your specific application. Please consult factory regarding your particular system needs.

PRODUCT DIMENSIONS



2380Series

Flow	2.7 cfm (76.5 l/min)
Max. pressure	75 psi (5.2 bar)
Max. vacuum	91% local barometer



NOTE: All test values are nominal and for reference only. They are not guaranteed maximum or minimum limits, nor do they imply mean or median.

PERFORMANCE DATA	T17-0120	T17-0113, T16-0185
Model Number	2380CE38	2380CUU38
Head Configuration	Pressure/vacuum parallel flow	Pressure/vacuum parallel flow
Stroke	0.38 in. (9.7 mm)	0.38 in. (9.7 mm)
Nominal voltage input	115/60/1	230/50/1
Max. open air flow	2.7 cfm (76.5 l/min)	2.3 cfm (65.1 l/min)
Max. rated pressure*	75 psi (5.2 bar)*	75 psi (5.2 bar)*
Current at rated pressure	3.2A	1.4A
Power at rated pressure	370W	325W
Speed at rated pressure	1635 rpm	1335 rpm
Max. pressure restart	Consult factory	Consult factory
Max. vacuum	91% local barometer	91% local barometer
Max. vacuum restart	Consult factory	Consult factory

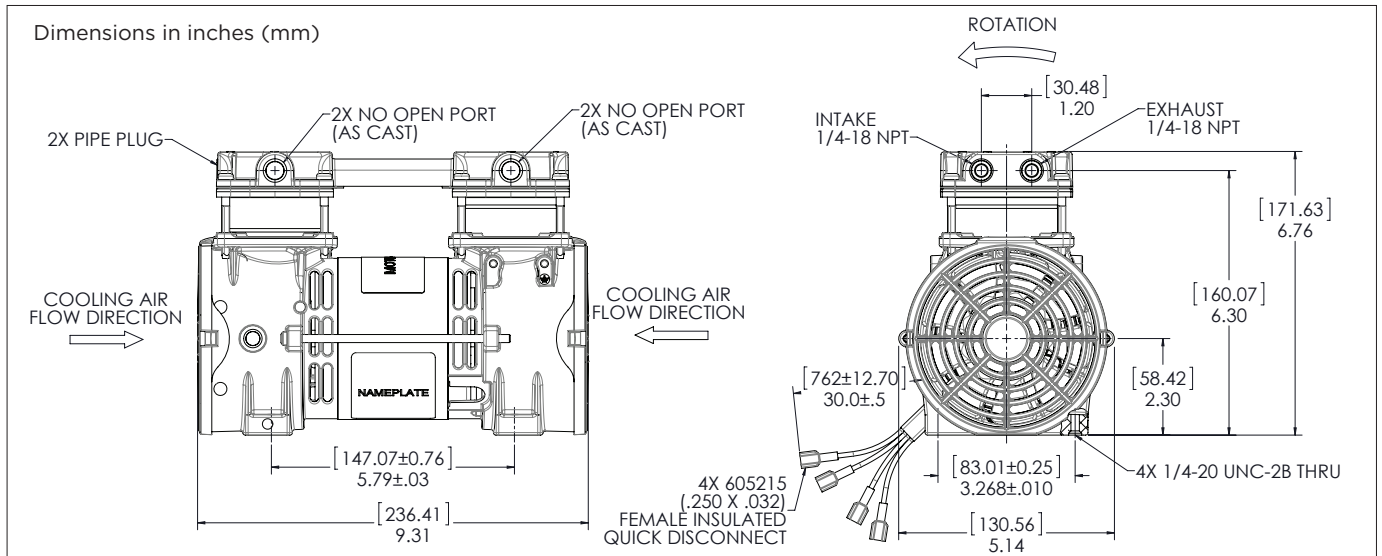
*Max rated pressure note: For O₂ concentrator applications that operate per EN 80601 (-15%/+10% nominal voltage), the maximum rated pressure is 40 psi (2.8 bar).

ELECTRICAL DATA		
Motor type (Capacitance)	P.S.C. [25 µF]	P.S.C. [12.5 µF]
Motor locked rotor current	8.4A	3.6A
Motor insulation class	B	B
Thermal switch (Nominal Open temperature)	Yes [293°F (145°C)]	Yes [293°F (145°C)]
Lead wire color, gauge	Brown(hot), blue(neutral), 18 AWG	Brown(hot), blue(neutral), 18 AWG
Capacitor lead wire color, gauge	Black, black, 18 AWG	Red, red, 18 AWG

GENERAL DATA		
Operating ambient temperature	50° to 104°F (10°C TO 40°C)*	50° to 104°F (10°C TO 40°C)*
Safety Certification	cRUus	TUV
Net weight	12 lbs (5.44 kg)	12 lbs (5.44 kg)

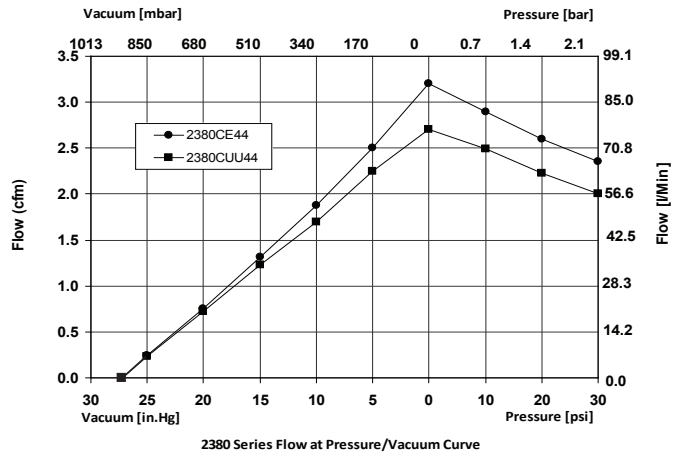
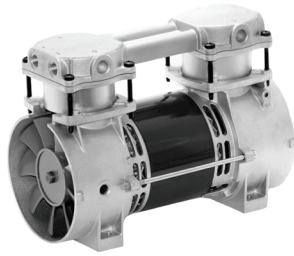
*Broader ambient operating ranges may be possible depending on your specific application. Please consult factory regarding your particular system needs.

PRODUCT DIMENSIONS



2380Series

Flow	3.2 cfm (90.6 l/min)
Max. pressure	30 psi (2.0 bar)
Max. vacuum	92% local barometer



NOTE: All test values are nominal and for reference only. They are not guaranteed maximum or minimum limits, nor do they imply mean or median.

PERFORMANCE DATA	T16-0364	T16-0453
Model Number	2380CE44	2380CUU44
Head Configuration	Pressure/vacuum parallel flow	Pressure/vacuum parallel flow
Stroke	0.44 in. (11.2 mm)	0.44 in. (11.2 mm)
Nominal voltage input	115/60/1	230/50/1
Max. open air flow	3.2 cfm (90.6 l/min)	2.7 cfm (76.5 l/min)
Max. rated pressure*	30 psi (2.0 bar)*	30 psi (2.0 bar)*
Current at rated pressure	3.4A	1.5A
Power at rated pressure	389W	340W
Speed at rated pressure	1644 rpm	1342 rpm
Max. pressure restart	Consult factory	Consult factory
Max. vacuum	92% local barometer	92% local barometer
Max. vacuum restart	Consult factory	Consult factory

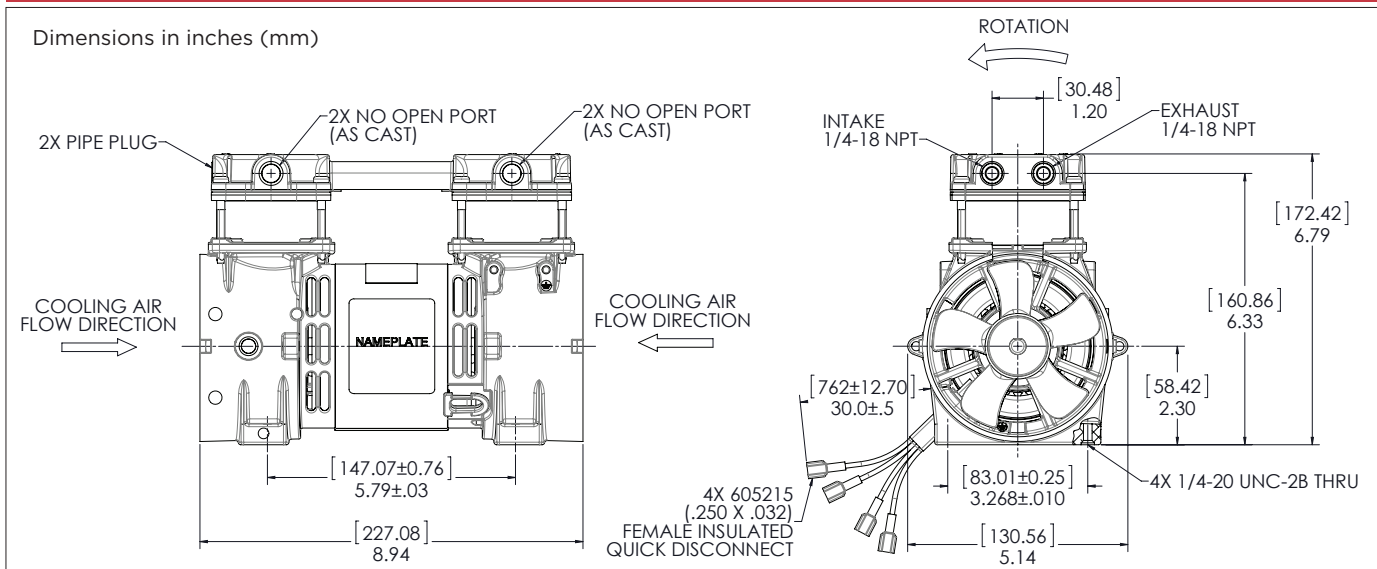
*Max rated pressure note: 30 psi (2.0 bar) is per EN 80601 operation (-15%/+10% nominal voltage). Applications that require ±10% nominal voltage may operate up to 40 psi (2.75 bar).

ELECTRICAL DATA		
Motor type (Capacitance)	P.S.C. [25 µF]	P.S.C. [15 µF]
Motor locked rotor current	8.4A	3.6A
Motor insulation class	B	B
Thermal switch (Nominal Open temperature)	Yes [293°F (145°C)]	Yes [293°F (145°C)]
Lead wire color, gauge	Brown(hot), blue(neutral), 18 AWG	Brown(hot), blue(neutral), 18 AWG
Capacitor lead wire color, gauge	Black, black, 18 AWG	Red, red, 18 AWG

GENERAL DATA		
Operating ambient temperature	50° to 104°F (10°C TO 40°C)*	50° to 104°F (10°C TO 40°C)*
Safety Certification	cRUus	TUV
Net weight	12 lbs (5.44 kg)	12 lbs (5.44 kg)

*Broader ambient operating ranges may be possible depending on your specific application. Please consult factory regarding your particular system needs.

PRODUCT DIMENSIONS



PUMP AND COMPRESSOR SOLUTIONS FOR OEMS WORLDWIDE

gd-thomas.com



Gardner Denver Thomas GmbH

Livry-Gargan-Str. 10
82256 Fürstentfeldbruck
Germany
T +49 8141 2280 0
F +49 8141 8892136

thomas.de@gardnerdenver.com

Gardner Denver Thomas Pneumatic Systems (Wuxi) Co. Ltd.

1 New Dong'an Road, Suofang Town
Xinwu District, Wuxi
Jiangsu, 214142 P.R. China
T +86 510 6878 2217
F +86 510 6878 2200

thomas.cn@gardnerdenver.com

THOMAS

by Gardner Denver

Gardner Denver Thomas, Inc.

1419 Illinois Avenue
Sheboygan, WI 53081
USA
T +1 920 4574891
F +1 920 4514276

td.usa@gardnerdenver.com

The information presented in this material is based on technical data and test results of nominal units. It is believed to be accurate and reliable and is offered as an aid to help in the selection of Thomas products. It is the responsibility of the user to determine the suitability of the product for the intended use and the user assumes all risk and liability in connection there with. Thomas does not warrant, guarantee or assume any obligation or liability in connection with this information.

Models presented in this catalog are representative of the product family. Photos of products pictured in this catalog do not necessarily represent a specific model number. To obtain further information for custom options, contact your local Thomas office.

Printed in U.S.A Form No. 850-4021 06/2017 © Gardner Denver Thomas, Inc. All rights reserved.