

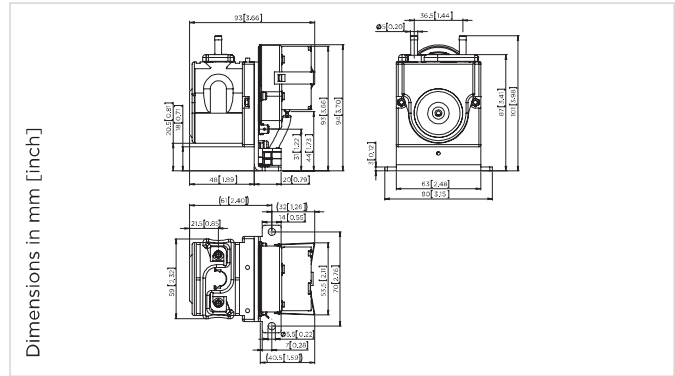
# Peristaltic Pumps SR25

**230 V/50 Hz, synchronous motor**  
**Suitable for continuous operation**

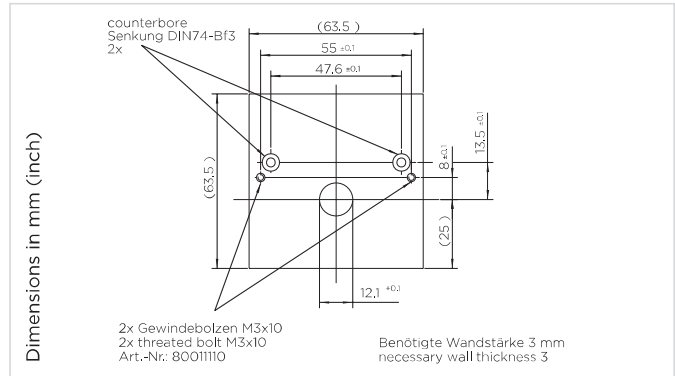
**Flow** | **0.2 – 14 ml/min**



**SR25, 1 to 10 rpm**  
**Synchronous motor**



Dimensions in mm [inch]



Dimensions in mm (inch)

**Bore pattern to fit in a housing**  
 (not illustrated)

counterbore  
 Senkung DIN74-Bf3  
 2x

2x Gewindebolzen M3x10  
 2x threaded bolt M3x10  
 Art.-Nr: 80011110

Benötigte Wandstärke 3 mm  
 necessary wall thickness 3

**Nominal speed**

	1 rpm	5 rpm	10 rpm
--	-------	-------	--------

**Tubing Novoprene** | **Flow<sup>2)</sup> ml/min**

N 1.6 x 1.6 mm	0.2		
Part number	20251737		
N 3.2 x 1.6 mm		3.5	7.0
Part number		<b>20251351</b>	<b>20251355</b>
N 4.1 x 1.6 mm	1.0	5.0	10
Part number	20251739	<b>20251352</b>	<b>20251356</b>
N 4.8 x 1.6 mm	1.3	6.8	14
Part number	20251740	<b>20251353</b>	<b>20251357</b>

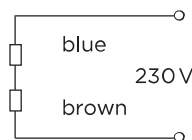
**Electrical Data**

Voltage	230 V/50 Hz
Motor	Synchronous
Power consumption	2 W
Motor insulation class	E

**General Data**

Protection class	IP00
Weight	0.39 kg

**Electrical wiring:**



**2025...** Stock programme

**Material of tubing connectors:**  
 Tubing Novoprene: Ø 1.6/3.2 mm - PVC  
 Ø 4.1/4.8 mm - PP

2) Note: The indicated values are average measured with water. The actual values depend on different parameters like quality and age of tubing, pressure of tubing beds, pressure ratios, viscosity. Please see page 4 for recommended running times and general data.