



Vibrating Armature Diaphragm Pumps

MODELS

310 ST
360 ST



PRODUCT FEATURES

- Oil-less
- Maintenance free
- Low noise/vibration
- Long life
- Low power consumption
- Natural pressure limitation
- Continuous operation
- Protection class IP 54

TYPICAL APPLICATIONS

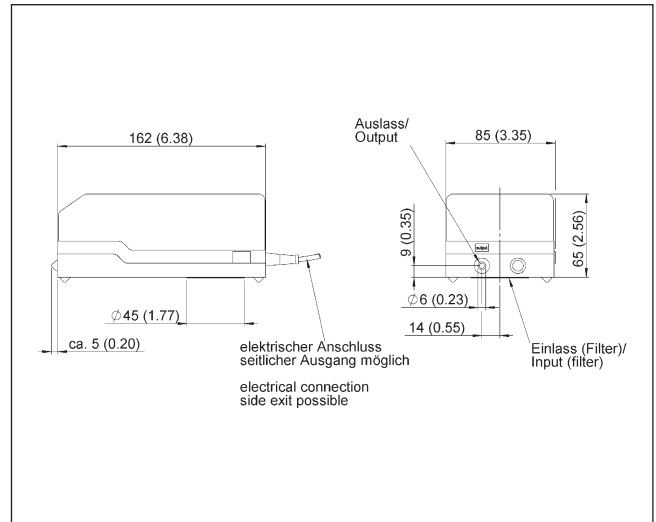
- Air mattress
- Bubble tubes
- Laboratory and analytical technology
- Medical



Vibrating Armature Diaphragm Pump 310 ST

Flow at 100 mbar

4,1 l/min



Pneumatic Data

Description	311 ST 230 V/50 Hz	312 ST 115 V/60 Hz	312 ST 12 V DC
Part number	3110003	3120002	3120033
Flow at 100 mbar	4,0 l/min	4,1 l/min	3,9 l/min
Operating range	0 to 270 mbar	0 to 310 mbar	0 to 210 mbar

Electrical Data

Motor	Vibrating armature	Vibrating armature	Vibrating armature
Nominal voltage	230 V/50 Hz	115 V/60 Hz	12 V DC
Consumption max. ¹	0,06 A/8 W	0,13 A/11 W	0,58 A/7 W
Protection class	IP 54	IP 54	IP 54

General Data

Ambient temperature	10 to 40° C	10 to 40° C	10 to 40° C
Weight	0,9 kg	0,9 kg	0,9 kg
Inlet	Integrated filter	Vacuum port*	Vacuum port*
Outlet	Pressure port	Pressure port	Pressure port
Electrical connection	1 m cable with Euro-plug	1 m cable with CSA-plug	30 cm 2-core cable without plug
Mounting	Rubber feet	Rubber feet	Suspension*
Average noise level ²	43 dB (A)	43 dB (A)	43 dB (A)

¹ At free flow.

² At free flow, with inlet/outlet tubing.

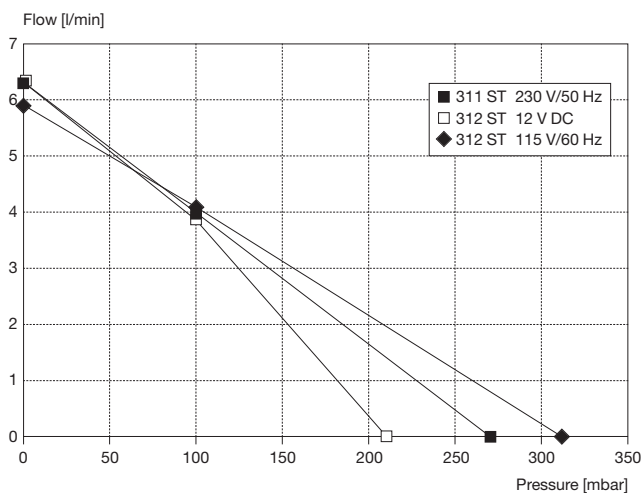
All listed values are measured at standard atmospheric conditions.

DC versions: with integrated electronics.

Type 311/312: for pressure applications only.

* Photo/drawing see page 3.

Flow curves



Option

Type 311/312 available as vacuum version (as type 313).

Other voltages available on request.

Other electrical connectors available on request.

Mounting: Rubber feet
Suspension
Mounting eye

31... Stock programme

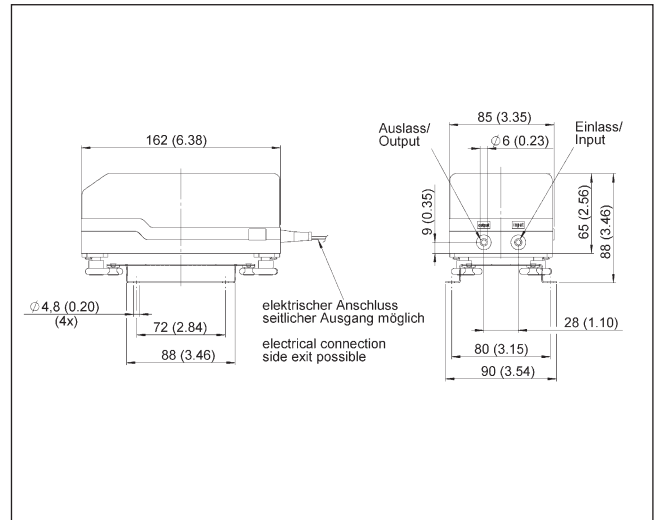
The information presented in this material is based on technical data and test results of nominal units. It is believed to be accurate and reliable and is offered as an aid to help in the selection of Thomas products. It is the responsibility of the user to determine the suitability of the product for the intended use and the user assumes all risk and liability whatsoever in connection therewith. Thomas does not warrant, guarantee or assume any obligation or liability in connection with this information.

THOMAS
by Gardner Denver

Vibrating Armature Diaphragm Pump 360 ST

Flow at 100 mbar

5,1 l/min



Pneumatic Data

Description	361 ST 230 V/50 Hz	362 ST 115 V/60 Hz
Part number	3610008	3620001
Flow at 100 mbar	4,8 l/min	5,1 l/min
Operating range	0 to 200 mbar	0 to 220 mbar

Electrical Data

Motor	Vibrating armature	Vibrating armature
Nominal voltage	230 V/50 Hz	115 V/60 Hz
Consumption max. ¹	0,09 A/14 W	0,15 A/14 W
Protection class	IP 54	IP 54

General Data

Ambient temperature	10 to 40° C	10 to 40° C
Weight	0,9 kg	0,9 kg
Inlet	Integrated filter*	Vacuum port
Outlet	Pressure port	Pressure port
Electrical connection	1 m cable with Euro-plug	1 m cable with CSA-plug
Mounting	Rubber feet*	Rubber feet*
Average noise level ²	47 dB (A)	47 dB (A)

¹ At free flow.

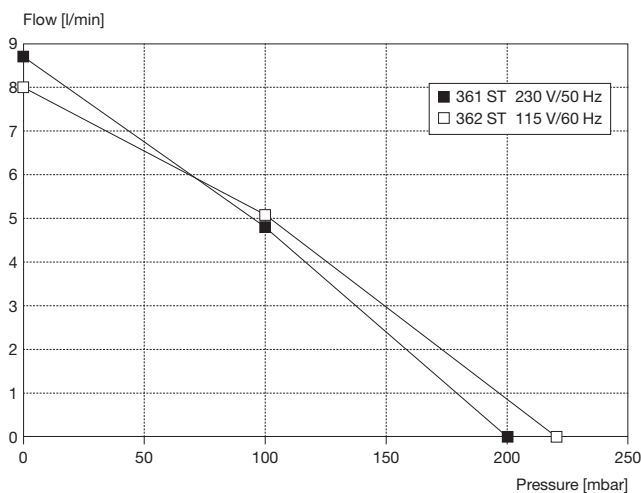
² At free flow, with inlet/outlet tubing.

All listed values are measured at standard atmospheric conditions.

Type 361/362: for pressure applications only.

* Photo/drawing see page 2.

Flow curves



Option

Type 361/362 available as vacuum version (as type 363).

Other AC voltages available on request.

Other electrical connectors available on request.

Mounting: Rubber feet
Suspension
Mounting eye

36... Stock programme

The information presented in this material is based on technical data and test results of nominal units. It is believed to be accurate and reliable and is offered as an aid to help in the selection of Thomas products. It is the responsibility of the user to determine the suitability of the product for the intended use and the user assumes all risk and liability whatsoever in connection therewith. Thomas does not warrant, guarantee or assume any obligation or liability in connection with this information.

THOMAS
by Gardner Denver

**THOMAS**

by Gardner Denver

Gardner Denver Thomas GmbH

Livry-Gargan-Str. 10 · 82256 Fürstenfeldbruck · Germany

Phone: +49 8141 2280 0 · Fax: +49 8141 8892136

e-Mail: thomas.de@gardnerdenver.com · <http://www.gd-thomas.com>

Printed in Germany.

Art.-Nr.: 17000212 07/2015 UEL

ClimatePartner 

printed climate-neutrally