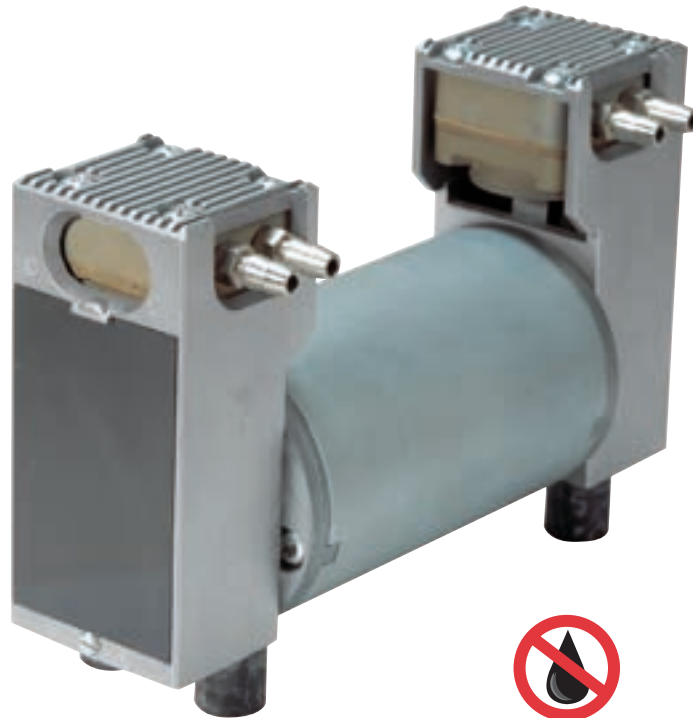




WOB-L™ Piston Air Compressors and Vacuum Pumps

MODELS

8003
8005
8006
8009



FEATURES

- Service free and oil-less
- Compact design
- Balanced for smooth, low vibration operation
- Suitable for continuous running
- Wetted parts
 - Series 8003/8005/8006 heat resistant high performance plastic, Elastomer valves
 - Series 8009 corrosion resistant aluminium parts, stainless steel valves
 - Long-life, high performance piston seal (PTFE compound)

TYPICAL APPLICATIONS

- Medical industry
- Laboratory and Analysis technology
- Automotive
- Equipment manufacturing

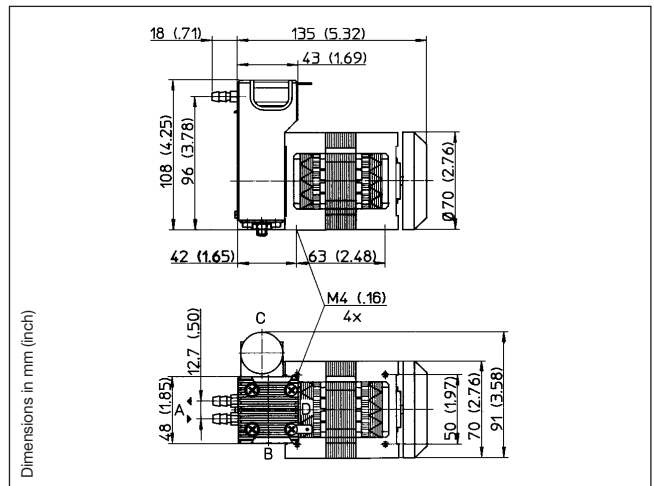
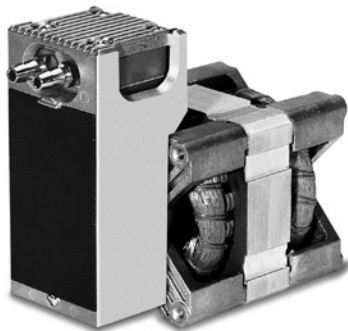
Consult factory for customized solutions



THOMAS
by Gardner Denver

WOB-L Piston Compressor 8009D AC

Flow	11,8 l/min
Max. pressure	7,0 bar



Pneumatic Data

Description	8009-30H/10/AC	8009-35H/05/AC	8009-40H/00/AC
Part number	230 V/50 Hz 80091037	80091038	80091039
Max. flow	8,8 l/min	10,3 l/min	11,8 l/min
Max. pressure	6,0 bar	7,0 bar	7,0 bar
Max. continuous pressure	1,8 bar	1,4 bar	1,0 bar
Max. restart pressure	0,5 bar	Ambient pressure	Ambient pressure

Electrical Data

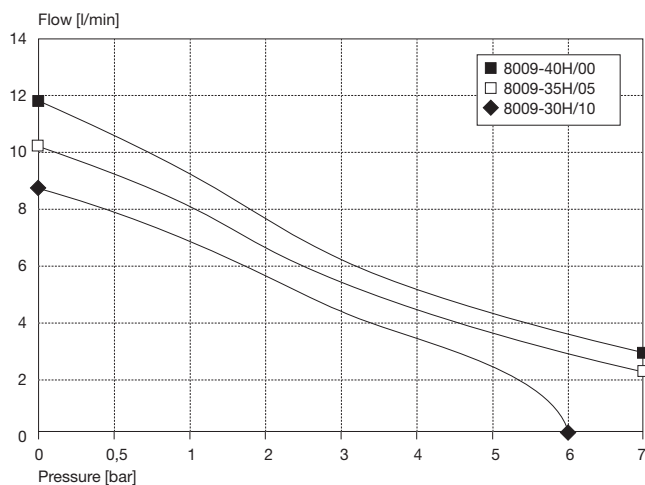
Motor type	Capacitor	Capacitor	Capacitor
Nominal voltage	230 V/50 Hz	230 V/50 Hz	230 V/50 Hz
Nominal speed	2700 rpm	2700 rpm	2700 rpm
Power consumption	78 W	78 W	78 W
Motor insulation class	B	B	B
Thermal switch	130 °C	130 °C	130 °C

General Data

Ambient temperature	10 to 40 °C	10 to 40 °C	10 to 40 °C
Media temperature	10 to 40 °C	10 to 40 °C	10 to 40 °C
Weight	1,7 kg	1,7 kg	1,7 kg
Port direction	A	A	A

All listed values measured at standard atmospheric conditions.

Flow Curves



Model key:

H = Capacitor motor 230 V/50 Hz
 Motor type
 8009 - 30 H / 10 / AC
 Series Eccentric Spacer plate

8009... Stock programme

Option:
 Different heads and outlet connectors

The information presented in this material is based on technical data and test results of nominal units. It is believed to be accurate and reliable and is offered as an aid to help in the selection of Thomas products. It is the responsibility of the user to determine the suitability of the product for the intended use and the user assumes all risk and liability whatsoever in connection therewith. Thomas does not warrant, guarantee or assume any obligation or liability in connection with this information.

THOMAS
 by Gardner Denver